

# Date Sheet



The "Huaxin" brand was founded in 2003 and has a history of 18 years. The company is mainly engaged in Hall elements, has a group of senior professional device design, integrated circuit design and test engineers, and has a first-class development and test platform. We have developed a number of high-end products with independent intellectual property rights, such as RF LDMOS series and RF VDMOS series, which represent China's integrated circuit level.

## HX6382

## Omnipolar Hall witch

HX6382 Hall-effect sensor is a temperature stable, stress-resistant, Low Tolerance of Sensitivity micro-power switch. Superior high-temperature performance is made possible through a dynamic offset cancellation that utilizes chopper-stabilization. This method reduces the offset voltage normally caused by device over molding, temperature dependencies, and thermal stress.

HX6382 is special made for low operation voltage, 1.65V, to active the chip which includes the following on a single silicon chip: voltage regulator, Hall voltage generator, small-signal amplifier, chopper stabilization, Schmitt trigger, CMOS output driver. Advanced CMOS wafer fabrication processing is used to take advantage of low-voltage requirements, component matching, very low input-offset errors, and small component geometries. This device requires the presence of omni-polar magnetic fields for operation.

The package type is in a Halogen Free version has been verified by third party Lab.

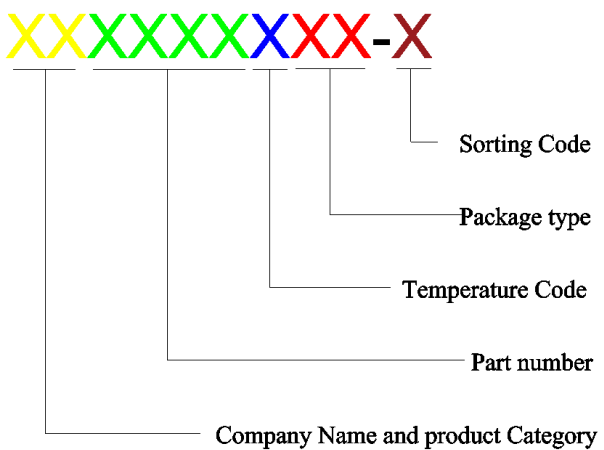
### ***Features and Benefits***

- CMOS Hall IC Technology
- Strong RF noise protection
- 1.65 to 3.5V for battery-powered applications
- Omni polar, output switches with absolute value of North or South pole from magnet
- Operation down to 1.65V, Micro power consumption
- High Sensitivity for reed switch replacement applications
- Multi Small Size option
- Low sensitivity drift in crossing of Temp. range
- Ultra Low power consumption at 5uA (Avg)
- High ESD Protection, HBM > ±4KV( min )
- Totem-pole output

### ***Applications***

- Solid state switch
- Handheld Wireless Handset Awake Switch
- Lid close sensor for battery powered devices
- Magnet proximity sensor for reed switch replacement in low duty cycle applications
- Water Meter
- Floating Meter
- PDVD
- NB

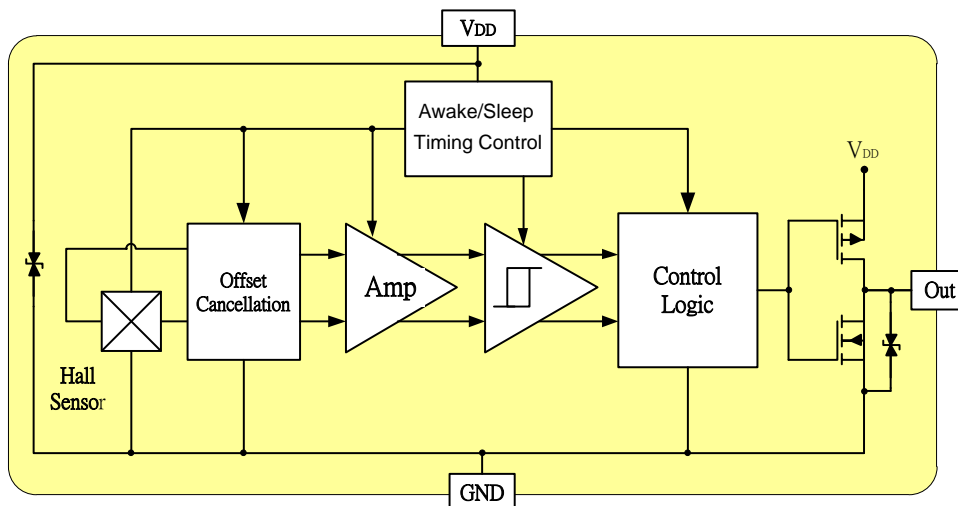
**Ordering Information**

	<p><b>Company Name and Product Category</b> HX:HX Hall Effect/MP:HX Power IC</p> <p><b>Part number</b> 6286,6275,6278,6287,6383,6474,6571,6572,6573,6574... If part # is just 3 digits, the fourth digit will be omitted.</p> <p><b>Temperature range</b> E: 85 °C, I: 105 °C, K: 125 °C, L: 150 °C</p> <p><b>Package type</b> UA:TO-92S,VK:TO-92S(4pin),VF:TO-92S(5pin),SO:SOT-23, SQ:QFN-3,ST:TSOT-23,SN:SOT-553,SF:SOT-89(5pin), SS:TSOT-26,SD:DFN-6</p> <p><b>Sorting</b> <math>\alpha, \beta</math>, Blank.....</p>
---	--

Part No.	Temperature Suffix	Package Type
HX6382EST	E (-40°C to + 85°C)	ST (TSOT-23)
HX6382EUA	E (-40°C to + 85°C)	UA (TO-92S)

Custom sensitivity selection is available by HX sorting technology

**Functional Diagram**



**Note:** Static sensitive device; please observe ESD precautions. Reverse  $V_{DD}$  protection is not included. For reverse voltage protection, a 100Ω resistor in series with  $V_{DD}$  is recommended.

**HBM** > ±4KV which is verified by third party lab.

#### Absolute Maximum Ratings At( $T_a=25^\circ\text{C}$ )

Characteristics		Values	Unit
Supply voltage( $V_{DD}$ )		4.5	V
Output Voltage ( $V_{out}$ )		4.5	V
Reverse Voltage ( $V_{DD}$ ) ( $V_{OUT}$ )		-0.3	V
Magnetic flux density		Unlimited	Gauss
Output current ( $I_{OUT}$ )		1	mA
Operating temperature range( $T_a$ )		-40 to +85	$^\circ\text{C}$
Storage temperature range ( $T_s$ )		-65 to +150	$^\circ\text{C}$
Maximum Junction Temp( $T_j$ )		150	$^\circ\text{C}$
Thermal Resistance	( $\theta_{JA}$ ) ST / UA	310 / 206	$^\circ\text{C}/\text{W}$
	( $\theta_{JC}$ ) ST / UA	223 / 148	$^\circ\text{C}/\text{W}$
Package Power Dissipation ( $P_D$ )	ST / UA	400 / 606	mW

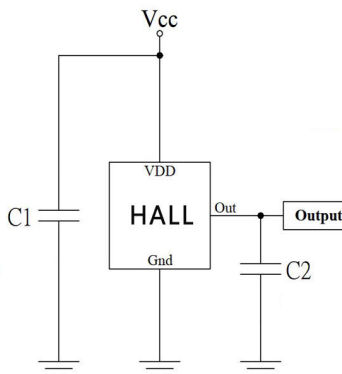
*Note:* Exceeding the absolute maximum ratings may cause permanent damage. Exposure to absolute maximum-rated conditions for extended periods may affect device reliability.

#### Electrical Specifications

DC Operating Parameters :  $T_a=25^\circ\text{C}$ ,  $V_{DD}=3.0\text{V}$

Parameters	Test Conditions	Min	Typ	Max	Units
Supply Voltage ( $V_{DD}$ )	Operating	1.65		3.5	V
Supply Current ( $I_{DD}$ )	Awake State		1.4	3	mA
	Sleep State		3.6	7	$\mu\text{A}$
	Average		5	10	$\mu\text{A}$
Output Leakage Current	Output off			1	$\mu\text{A}$
Output High Voltage( $V_{OH}$ )	$I_{OUT}=0.5\text{mA}$ (Source)	$V_{DD}-0.2$			V
Output Low Voltage( $V_{OL}$ )	$I_{OUT}=0.5\text{mA}$ (Sink)			0.2	V
Awake mode time( $T_{aw}$ )	Operating		40	80	$\mu\text{s}$
Sleep mode time( $T_{sl}$ )	Operating		40	80	mS
Duty Cycle ( $D, C$ )			0.1		%
Electro-Static Discharge	HBM	4			KV
Operate Point	( $B_{OPN}$ ) N pole to branded side, $B > BOP$ , $V_{out}$ On	10		30	Gauss
	( $B_{OPS}$ ) S pole to branded side, $B > BOP$ , $V_{out}$ On	-30		-10	Gauss
Release Point	( $B_{RPN}$ ) N pole to branded side, $B < BRP$ , $V_{out}$ Off	5		25	Gauss
	( $B_{RPS}$ ) S pole to branded side, $B < BRP$ , $V_{out}$ Off	-25		-5	Gauss
Hysteresis,(BHYS)	$ BOP_x - BRP_x $		10		Gauss

#### Typical Application circuit

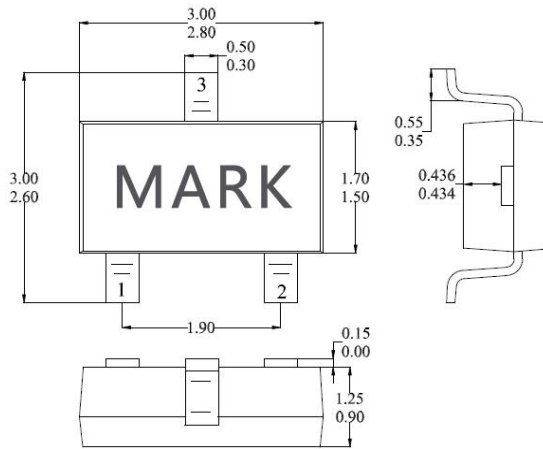


C1 : 10nF  
 C2 : 100pF

**Sensor Location, package dimension and marking**

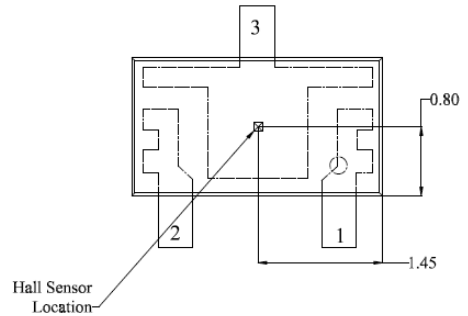
**ST Package(TSOT-23)**

**(Top View)**

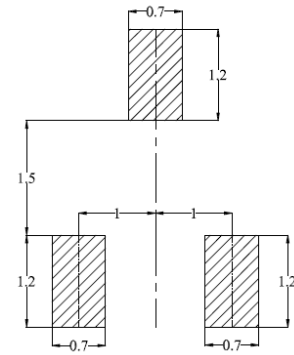


**Hall Plate Chip Location**

**(Bottom view)**



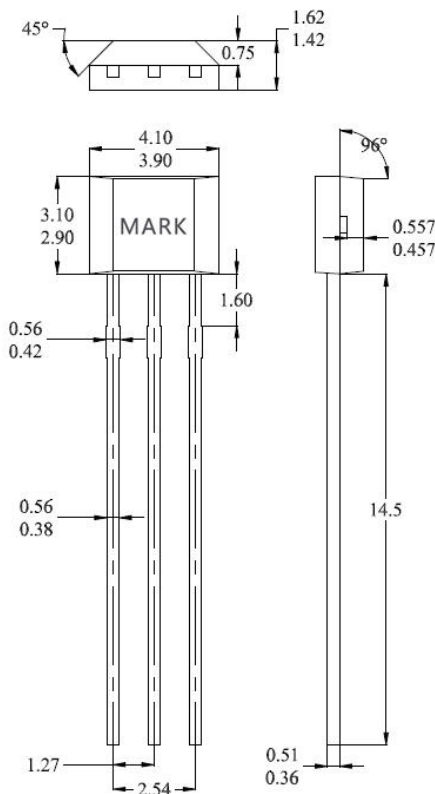
**(For reference only) Land Pattern**



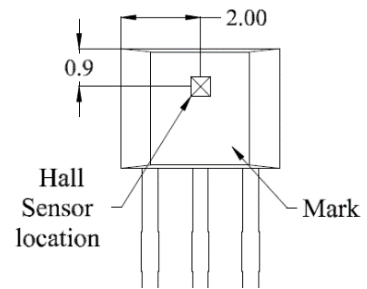
**NOTES:**

1. PINOUT (See Top View at left):  
Pin 1 VDD  
Pin 2 Output  
Pin 3 GND
2. Controlling dimension: mm;
3. Lead thickness after solder plating will be 0.254mm maximum

**UA Package**



**Hall Chip location**

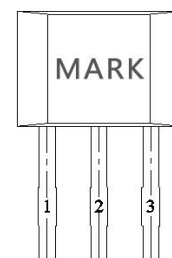


**NOTES:**

1. Controlling dimension: mm
2. Leads must be free of flash and plating voids
3. Do not bend leads within 1 mm of lead to package interface.
4. PINOUT:  
Pin 1 VDD  
Pin 2 GND  
Pin 3 Output

**Output Pin Assignment**

**(Top view)**



### Warm reminder

1. Hall is a sensitive device. Please take electrostatic protection measures during use and storage.

2. During the installation process, the Hall should try to avoid applying mechanical stress to the Hall body. If the pins need to be bent, please operate at a distance of 3 mm from the root of the lead.

3. Recommended soldering temperature: soldering with electric soldering iron, the recommended temperature is 350°C, the longest is 5 seconds.

Wave soldering: The recommended maximum temperature is 260°C, the longest is 3 seconds

Infrared reflow soldering: recommended maximum 245°C, maximum 10 seconds

4. It is not recommended to exceed the parameters in the data sheet. Although the Hall will work normally under the limit parameters, it may cause damage to the Hall or the actual product under extreme conditions for a long time. In order to ensure the normal operation of the Hall and the product For safety and stability, please use it within the scope of the data sheet.

For the latest version of this document, go to our website at  
**[www.wxhjkj.com](http://www.wxhjkj.com)**

Or for additional information contact Huaxin Direct:  
Anny : 15995280078      E-mail : [sales1@wxhjkj.com](mailto:sales1@wxhjkj.com)

**Huaxin has the final right to interpret the above product data**