

### GENERAL DESCRIPTION

The PT4103 is a step-up DC/DC converter designed for driving up to 8 white LEDs in series from a single cell Lithium Ion battery with constant current. Because it directly regulates output current, the PT4103 is ideal for driving light emitting diodes (LEDs) whose light intensity is proportional to the current passing through them, not the voltage across their terminals. A single external resistor sets LED current between 5mA and 20mA, which can then be easily adjusted using either a DC voltage or a pulse width modulated (PWM) signal. Its low 104mV feedback voltage reduces power loss and improves efficiency. The OV pin monitors the output voltage and turns off the converter if an over-voltage condition is present due to an open circuit condition. The PT4103 is available in SOT23-6 packages.

### FEATURES

- Drives Up to 5 Series White LEDs from 2.5V
- Drives Up to 8 Series White LEDs from 3.6V
- Up to 87% Efficiency
- 1.2MHz Fixed Switching Frequency
- Low 104mV Feedback Voltage
- Open Load Shutdown
- Soft Start/PWM Dimming
- SOT23-6 Packages
- RoHS compliant

### APPLICATIONS

- Cell Phones
- Handheld Computers and PDAs
- Digital Cameras
- Small LCD Displays

### ORDERING INFORMATION

PACKAGE	TEMPERATURE RANGE	ORDERING PART NUMBER	TRANSPORT MEDIA	MARKING
SOT23-6	-40 °C to 85 °C	PT4103B23F	Tape and Reel 3000 units	4103

### TYPICAL APPLICATIONS

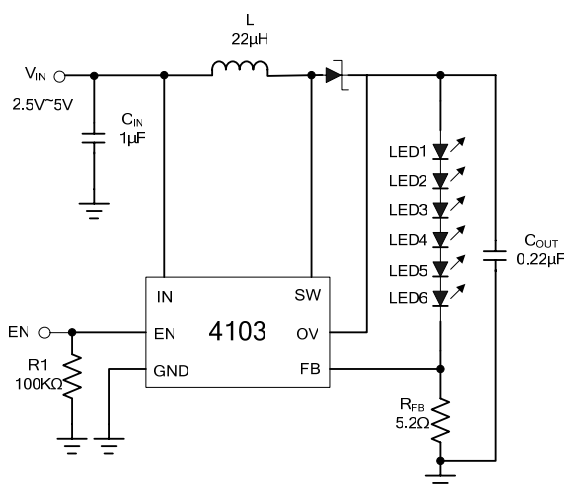


Figure1. Li-Ion Driver for Six White LEDs

### KEY PERFORMANCE CHART

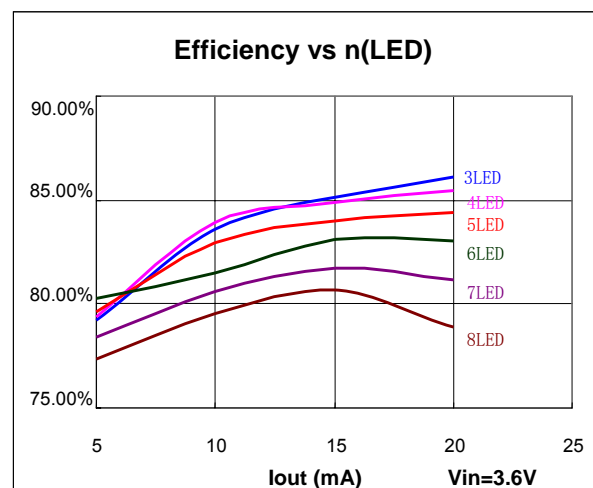
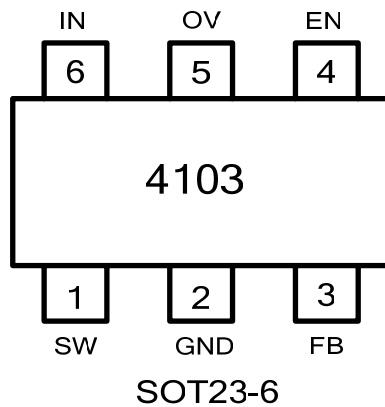


Figure2. Efficiency vs Number of LEDs

**PIN ASSIGNMENT**

**PIN DESCRIPTIONS**

SOT PIN No.	PIN Names	DESCRIPTION
1	SW	Power Switch Output. Connect the inductor and the blocking Schottky diode to SW.
2	GND	Ground
3	FB	Feedback input pin. The reference voltage at this pin is 104mV. Connect the cathode of the lowest LED to FB and a current sense resistor between FB and GND.
4	EN	Enable pin. A high input at EN enables the device and a low input disables the devices. When not used, connect EN to the input source for automatic startup.
5	OV	Over Voltage Input. OV measures the output voltage for open circuit protection. Connect OV to the output at the top of the LED string.
6	IN	Input Supply Pin. Must be locally bypassed.

**ABSOLUTE MAXIMUM RATINGS (Note 1)**

SYMBOL	ITEMS	VALUE	UNIT
$V_{IN}$	Input Voltage	-0.3~6	V
$V_{SW}$	Voltage at SW Pin	-0.5~35	V
$V_{IO}$	All Other I/O Pins	GND-0.3 to VDD+0.3	V
$P_{TR1}$	Thermal Resistance, SOT-23-6		
	$\theta_{JA}$	220	$^{\circ}C/W$
	$\theta_{JC}$	110	
Tstg	Storage Temperature	-55 to 150	$^{\circ}C$
Tsolder	Package Lead Soldering Temperature	260 $^{\circ}C$ , 10s	

**RECOMMENDED OPERATING RANGE (Note 2)**

SYMBOL	ITEMS	VALUE	UNIT
V <sub>IN</sub>	VIN Supply Voltage	2.5 to +6	V
V <sub>SW</sub>	Output Voltage	V <sub>IN</sub> to 28	V
T <sub>OPT</sub>	Operating Temperature	-40 to +85	°C

**Note 1:** Absolute Maximum Ratings indicate limits beyond which damage to the device may occur.

**Note 2:** Recommended operating Range indicates conditions for which the device is functional, but does not guarantee specific performance limits.

**ELECTRICAL CHARACTERISTICS (Note 3,4,5)**

V<sub>IN</sub>=V<sub>EN</sub>=3V, T<sub>opt</sub>=25°C unless specified otherwise.

SYMBOL	ITEMS	CONDITIONS	Min.	Typ.	Max.	UNIT
V <sub>IN</sub>	Input Voltage		2.5		6	V
<b>Feedback</b>						
V <sub>FB</sub>	FB Pin Voltage		89	104	119	mV
I <sub>bias</sub>	FB Pin Input Bias Current			0.05	1	μA
<b>Operating Current</b>						
I <sub>off</sub>	Operating Current (Shutdown)	V <sub>SW-ON</sub> =0V		0.1	1	μA
I <sub>sby</sub>	Operating Current (Quiescent)	V <sub>FB</sub> =0.3V		100	350	μA
F <sub>sw</sub>	Switching Frequency		1.0	1.25	1.5	MHz
D <sub>max</sub>	Maximum Duty Cycle	V <sub>FB</sub> =0V	85	90		%
<b>Chip Enable</b>						
V <sub>EN_H</sub>	EN Minimum High Level		1.5			V
V <sub>EN_L</sub>	EN Maximum Low Level				0.4	V
V <sub>HYS</sub>	EN Hysteresis			90		mV
	EN Input Bias Current	V <sub>SW-ON</sub> =0V, 5V			1	μA
<b>Output Switch</b>						
R <sub>ON</sub>	SW On Resistance (Note 3)			0.5		Ω
I <sub>LIMIT</sub>	SW Current Limit			400		mA
I <sub>LEAK</sub>	SW Leakage Current	V <sub>SW</sub> =5V		0.01	1	μA
<b>Open Circuit Protection</b>						
V <sub>OV</sub>	Open Circuit Shutdown Threshold	V <sub>OV</sub> Rising		30		V
<b>Soft Start</b>						
t <sub>SS</sub>	Soft Start Time (Note 3)	V <sub>IN</sub> Power On		160		μS

**Note 3:** Electrical Characteristics state DC and AC electrical specifications under particular test conditions which guarantee specific performance limits. This assumes that the device is within the recommended operating Range. Specifications are not guaranteed for parameters where no limit is given, however, the typical value is a good indication of device performance.

**Note 4:** Typicals are measured at 25°C and represent the parametric norm.

**Note 5:** Datasheet min/max specification limits are guaranteed by design, test, or statistical analysis.

### SIMPLIFIED BLOCK DIAGRAM

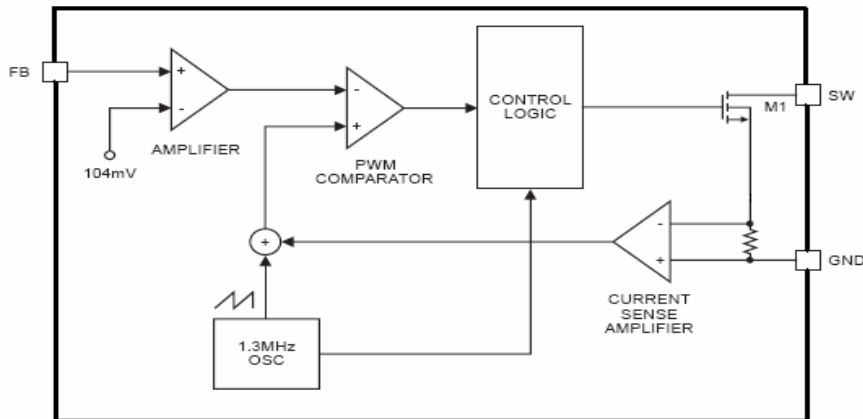


Figure 3. Simplified Block Diagram of the PT4103

### OPERATION DESCRIPTION

The PT4103 uses a constant frequency, peak current mode boost regulator architecture to regulate the series string of white LEDs. The operation of the PT4103 can be understood by referring to the simplified block diagram shown above. At the start of each oscillator cycle, the control logic turns on the power switch M1. The signal at the non-inverting input of the PWM comparator is proportional to the switch current, summed together with a portion of the oscillator ramp.

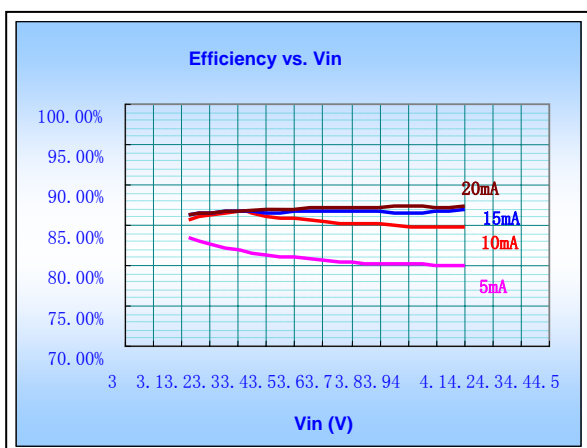
When this signal reaches the level set by the output of error amplifier, the PWM comparator resets the latch in the control logic and turns off the power switch. In this manner, error amplifier sets the correct peak current level to keep the LED current in regulation. If the feedback voltage starts to drop, the output of the error amplifier increases. This results in more current to flow through M1, hence increasing the power delivered to the output.

### TYPICAL PERFORMANCE CHARACTERISTICS

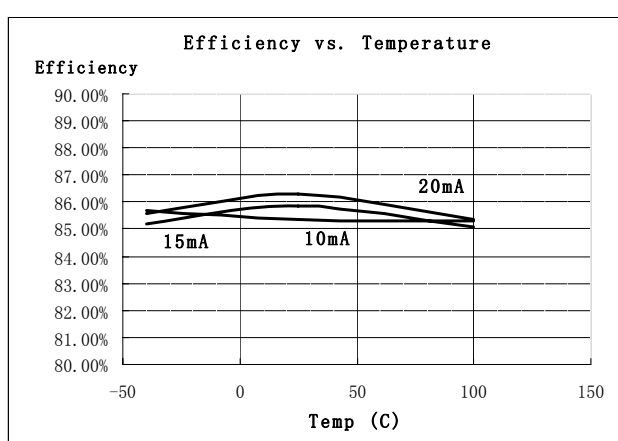
#### Driving Capability

V <sub>in</sub>	I <sub>LED</sub> =15mA	I <sub>LED</sub> =20mA
2.5V	5 x LED	4 x LED
3.0V	6 x LED	5 x LED
3.6V	8 x LED	8 x LED

Efficiency vs Vin and I<sub>LED</sub>

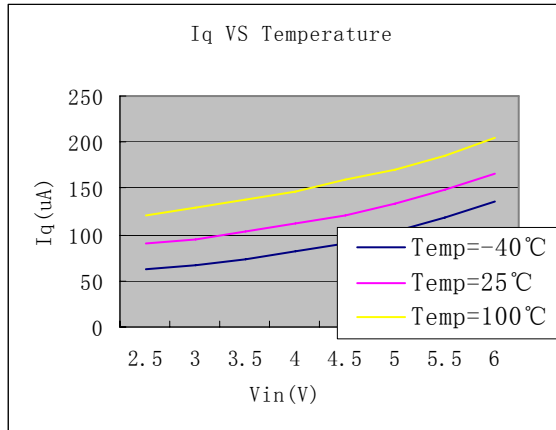


Efficiency vs Temperature

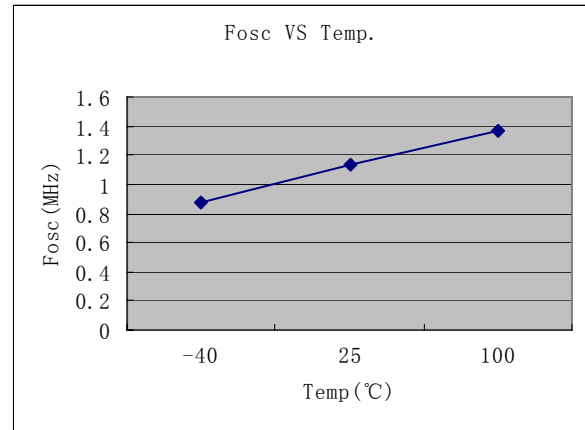


### TYPICAL PERFORMANCE CHARACTERISTICS

**Quiescent Current vs  $V_{IN}$  and Temperature**



**Switching Frequency vs Temperature**



### APPLICATION INFORMATION

#### ■ Inductor Selections

For most of the applications of the PT4103, it is recommended to use an inductor of 22uH. Although small size is one of the major factors in selecting an inductor, the smaller and thinner inductors give higher core losses at 1.25MHz and DRC, resulting in lower efficiencies. The following table provides a list of recommended inductors:

Part Number	DCR ( $\Omega$ )	Current Rating (mA)	Manufacture
LQH3C220	0.71	250	MURATA
CDRH3D16-220	0.53	350	SUMIDA
LB2012B220M	1.7	75	TAIYO YUDEN
LEM2520-220	5.5	125	TAIYO YUDEN
EJPC220KF	4.0	160	PANASONIC

#### ■ Capacitor Selection

The small size of ceramic capacitors makes them ideal for PT4103 applications. X5R and X7R types are recommended because they retain their capacitance over wider voltage and temperature ranges than other types such as Y5V or Z5U. A 1 $\mu$ F input capacitor and a 0.22  $\mu$ F output capacitor are sufficient for most PT4103 applications.

#### ■ Diodes Selection

Schottky diodes, with their low forward voltage drop and fast reverse recovery, are the ideal choices for PT4103 applications. The forward voltage drop of a Schottky diode represents the conduction losses in the

diode, while the diode capacitance ( $C_T$  or  $C_D$ ) represents the switching losses. For diode selection, both forward voltage drop and diode capacitance need to be considered. Schottky diodes with higher current ratings usually have lower forward voltage drop and larger diode capacitance, which can cause significant switching losses at the 1.25MHz switching frequency of the PT4103. A Schottky diode rated at 100mA to 200mA is sufficient for most PT4103 applications. Some recommended Schottky diodes are listed in the following table:

Part Number	Forward Current (mA)	Voltage Drop (V)	Diode CAP (Pf)	Manufacture
CMDSH-3	100	0.58@100mA	7.0@10V	Central
CMDSH2-3	200	0.49@200mA	15@10v	Central
BAT54	200	0.53@100mA	10@25v	Zetex

#### ■ LED Current Control

The LED current is controlled by the feedback resistor. The feedback reference is 104mV. The LED current is 104mV/Rfb. In order to have accurate LED current, precision resistors are preferred (1% is recommended). The formula and table for  $R_{FB}$  selection are shown below:

$$R_{FB} = 104mV/I_{LED}$$

$I_{LED}$ (mA)	$R_{FB}$ Value ( $\Omega$ )
5	20.8
10	10.4
15	6.93
20	5.2

### ■ Open Circuit Protection

Open circuit protection will shut off the PT4103 if the output voltage goes too high when the OV pin is tied to the output. In some cases an LED may fail, which will result in the feedback voltage always being zero. The PT4103 will then switch at its maximum duty cycle boosting the output voltage higher and higher. By connecting the OV pin to the top of the LED string the PT4103 checks this condition and if the output ever exceeds 30V, the PT4103 will shut down. The part will not switch again until the power is recycled.

### ■ Dimming Control

There are three different types of dimming control circuits:

#### 1. Using a DC Voltage

For some applications, the preferred method of brightness control is a variable DC voltage to adjust the LED current. The dimming control using a DC voltage is shown in Figure 3. As the DC voltage increases, the voltage drop on R2 increases and the voltage drop on R1 decreases. Thus, the LED current decreases. The selection of R2 and R3 will make the current from the variable DC source much smaller than the LED current and much larger than the FB pin bias current.

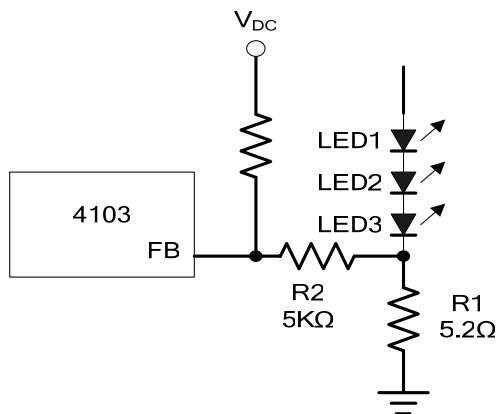


Figure3. Dimming Control Using a DC Voltage

#### 2. Using a PWM Signal to EN Pin

With the PWM signal applied to the EN pin, the PT4103 is turned on or off by the PWM signal. The LEDs operate at either zero or full current. The average LED current increases proportionally with the duty cycle of the PWM signal. A 0% duty cycle will turn off the PT4103 and corresponds to zero LED current. A 100% duty cycle corresponds to full current. The typical frequency range of the PWM signal should be 1kHz or less due to the soft start function.

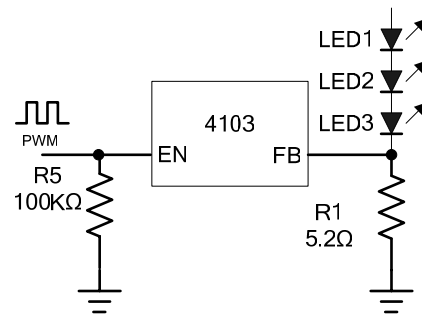


Figure4. Dimming Control Using a PWM Signal

#### 3. Using a Filtered PWM Signal

The filtered PWM signal can be considered as an adjustable DC voltage. It can be used to replace the variable DC voltage source in dimming control. The circuit is shown in Figure 5.

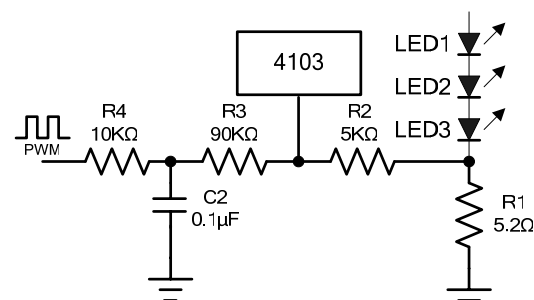


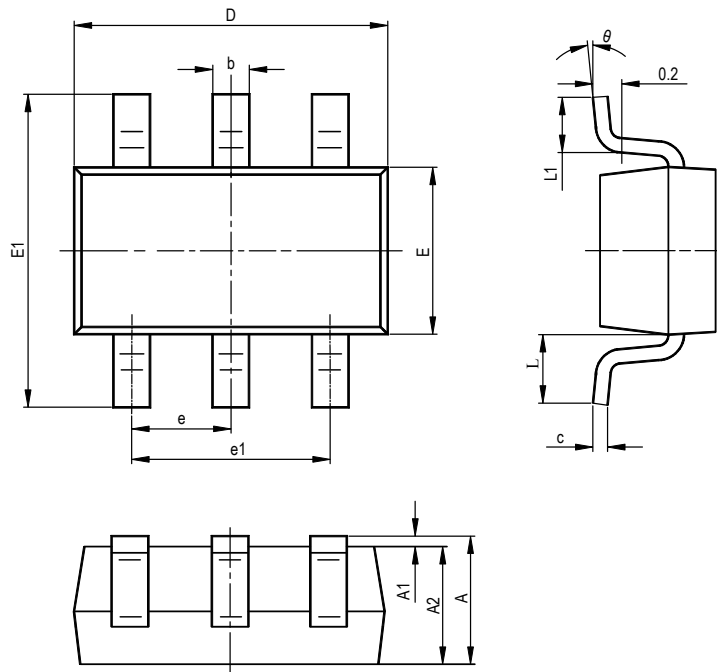
Figure5. Dimming Control Using a Filtered PWM Signal

### ■ Start-up and Inrush Current

The PT4103 has internal soft start to limit the amount of current through VIN at startup and to also limit the amount of overshoot on the output. The soft start is realized by gradually increasing the current limit during start-up. The current limit is increased by a third every 60μS giving a total soft start time of around 180μS.

### ■ Board Layout Consideration

As with all switching regulators, careful attention must be paid to the PCB board layout and component placement. To maximize efficiency, switch rise and fall times are made as short as possible. To prevent electromagnetic interference (EMI) problems, proper layout of the high frequency switching path is essential. The voltage signal of the SW pin has sharp rise and fall edges. Minimize the length and area of all traces connected to the SW pin and always use a ground plane under the switching regulator to minimize interplane coupling. In addition, the ground connection for the feedback resistor R1 should be tied directly to the GND pin and not shared with any other component, ensuring a clean, noise-free connection.

**PACKAGE INFORMATION**
**SOT23-6**


SYMBOL	MILLIMETERS		INCHES	
	MIN	MAX	MIN	MAX
A	1.050	1.250	0.041	0.049
A1	0.000	0.100	0.000	0.004
A2	1.050	1.150	0.041	0.045
b	0.300	0.400	0.012	0.016
c	0.100	0.200	0.004	0.008
D	2.820	3.020	0.111	0.119
E	1.500	1.700	0.059	0.067
E1	2.650	2.950	0.104	0.116
e	0.950TYP		0.037TYP	
e1	1.800	2.000	0.071	0.079
L	0.700REF		0.028REF	
L1	0.300	0.600	0.012	0.024
$\theta$	0°	8°	0°	8°